



# Hager

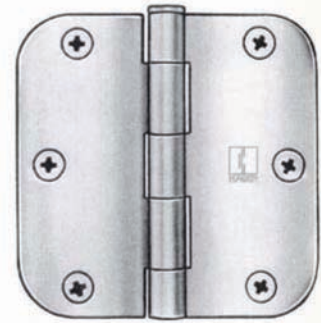
## RC1841 - Full Mortise Residential Hinge

### Stocked Product

- RC1841 3 1/2" x 3 1/2"  
10A,10B, 26D, 26, 2D, US3, 15,15A, ID, US4, US5,LS, USP,3LB
- RC1841 4" x 4"  
10A,10B, 26D, 26, 2D, US3, 15,15A, ID, US4, US5,LS, USP,3LB
- Above sizes stocked bulk, for boxed specify RC1842
- NRP option stocked RC1842 4" x 4" only

### Features:

- Full Mortise - Non Template Residential Weight
- 5/8" Radius Corner - Bulk Assembled Steel Material with Steel Pin
- 5 Knuckle - Reversible
- Hinge Thickness .085



Case lot 100 each  
Packaging All wood screws

## Roton by Hager - Continuous Hinges

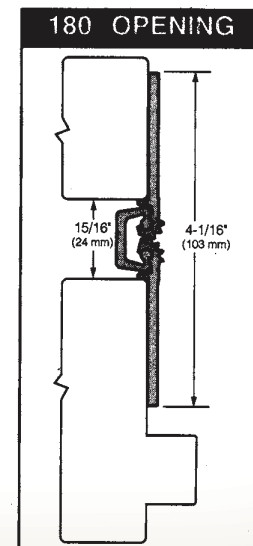
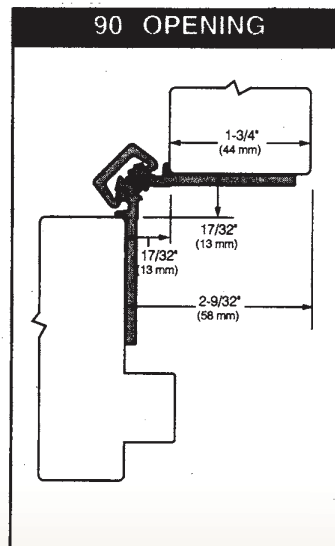
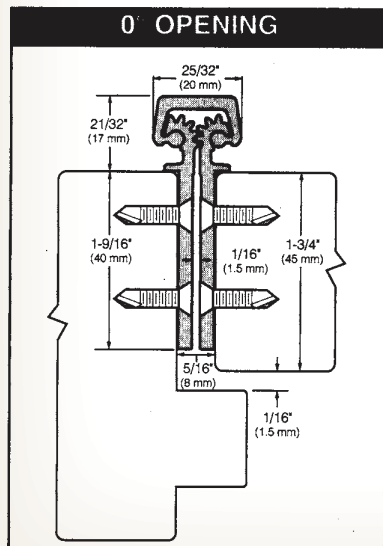
### 780-112 HD

### Stocked Product

- 780-112 83" and 95" Clear

### Features:

- Individually packed
- Clearance - 5/16" hinge side
- Fasteners - Drill-kwick screws included
- Length - Stock 83", 95"
- Special order 79", 85", 119"
- Door reinforcement - None up to 200 lbs, use 16 gauge channel
- Frame reinforcement - None up to 200 lbs, use 16 gauge channel
- Fire rating - Up to 3 hours
- HD - Heavy duty





# Roton by Hager - Continuous Hinges

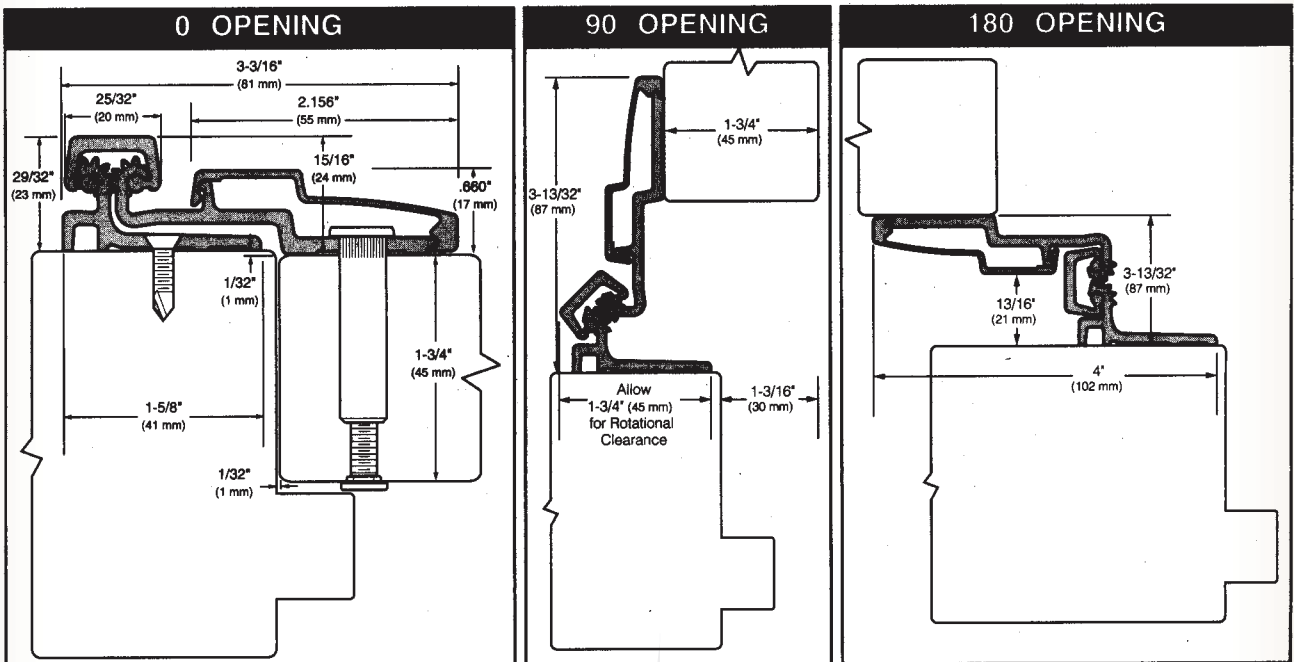
## 780-210 HD Full Surface

### Stocked Product

- 780-210HD 83" and 95" Clear, 83" Dark Bronze

### Features:

- Individually packed
- Clearance - None required for hinge side, 1-5/8" minimum frame face required plus 3/16" rotational clearance
- Fasteners - Drill-quick screws and sexbolts included
- Length - Stock 83", 95"
- Special order 79", 85", 119"
- Door reinforcement - None required
- Frame reinforcement - None required up to 200 lbs, use 16 gauge channel
- Special features - Zero clearance required for hinge side. Can be used with any door and frame material
- HD - Heavy duty, Fire Rated





Price List

# Roton by Hager - Continuous Hinges

Vendor Site

## 780-224 HD Mortised

### Stocked Product

- 780-224HD 83" and 95" Clear

### Features:

- Individually packed
- Clearance - 5/16" hinge side
- Fasteners - Drill-quick screws included
- Length - Stock 83", 95"
- Special order 79", 85", 119"
- Door reinforcement - None up to 200 lbs, use 16 gauge channel
- Frame reinforcement - None up to 200 lbs, use 16 gauge channel
- Fire rating - Up to 3 hours
- HD - Heavy duty

