

Floor Stops - Dome

FS13 Dome Stop

Features:

- Standard FS13 for use where no threshold is used.
- Heavy-Duty Cast Dome Stops constructed of brass.
- Unique riser design of R14 (below) allows easy conversion to threshold application.
- Units are packed with fasteners sufficient for mounting in all types of floor construction, including concrete.
- Meets ANSI/BHMA 156.6, L12141.
- Finishes: US3, US4, US10, US10B, US26 and US26D.

Product No.	Overall Height	Base Height	Base Diameter
FS13	1"	$\frac{5}{32}$ "	1 $\frac{3}{4}$ " round



FS13 x R14 pictured

FS17 Dome Stop

Features:

- One piece dome stop for use with thresholds.
- Heavy-Duty Cast Dome Stops constructed of brass.
- Units are packed with fasteners sufficient for mounting in all types of floor construction, including concrete.
- Meets ANSI/BHMA 156.1, L12161.
- Finishes: US3, US4, US10, US10B, US26 and US26D.

Product No.	Overall Height	Base Height	Base Diameter
FS17	1 $\frac{1}{32}$ "	$\frac{1}{2}$ "	1 $\frac{3}{4}$ " round



R14 Riser

Features:

- Adapts the FS13 Dome Stop to threshold use.
- Brass Die Cast Construction.
- Meets ANSI/BHMA 156.1, L12161 when used with FS13 Dome Stop.
- Finishes: US3, US4, US10, US10B, US26 and US26D.

Product No.	Riser Height	Base Diameter
R16	$\frac{5}{16}$ "	1 $\frac{3}{4}$ " round



Floor Stops – Dome

FS436 Dome Stop

Features:

- For doors without threshold.
- Heavy-Duty Cast Dome Stops constructed of brass, bronze or aluminum.
- Gray, non-marring rubber bumper.
- Packed with wood screw and plastic anchor, specify Tampin (TPN) or lead expansion shield (LS), if required.
- Meets ANSI/BHMA 156.6, L12141 for brass or bronze and L32141 for aluminum.
- Finishes: US3, US4, US5, US10, US10B, US14, US15, US15A, US26, US26D and US28.

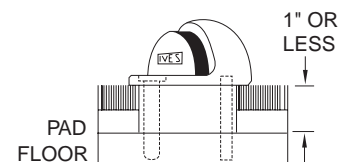
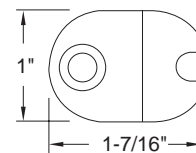


Product No.	Overall Height	Base Height	Base Diameter
FS436	1"	3/16"	1-3/4" x 2" Oval

R435 Riser

Features:

- Extruded aluminum, mill finish.
- For conversion of FS436 Dome Stop to carpet installation.
- Packed with wood screws, lead shield and stud. Specify Tampin (TPN) if required.
- Available in 1/4", 3/8", 1/2", 5/8", 3/4" and 1" height.



Product No.	Size
R435	1" x 1-3/8" Oval

How to Order:

FS - - - -

Model:

- 436** Dome Stop Only
- 435** Riser Only
- 436 x 435** Dome Stop & Riser

Riser Size:

- Blank** No riser
- 1/4** for 1/4"
- 3/8** for 3/8"
- 1/2** for 1/2"
- 5/8** for 5/8"
- 3/4** for 3/4"
- 1** for 1"

Finishes:

US3, US4, US5, US10, US10B, US14, US15, US15A, US26, US26D, US28

Mounting:

- Blank** Standard
- TPN** Tampin
- LS** Lead Expansion Shield

Floor Stops – Dome

FS438 Dome Stop

Features:

- For doors with threshold or undercut doors.
- Heavy-Duty Cast Dome Stops constructed of brass, bronze or aluminum.
- Gray, non-marring rubber bumper.
- Packed with wood screw and plastic anchor, specify Tampin (TPN) or lead expansion shield (LS), if required.
- Meets ANSI/BHMA 156.6, L12141 for brass or bronze and L32141 for aluminum.
- Finishes: US3, US4, US5, US10, US10B, US14, US15, US15A, US26, US26D, US28.

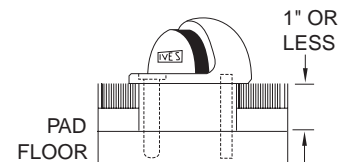
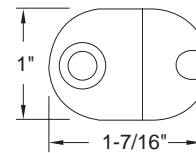
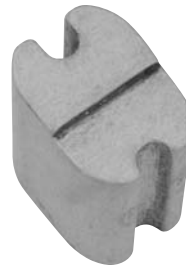


Product No.	Overall Height	Base Height	Base Diameter
FS438	1-3/8"	9/16"	1-3/4" x 2" Oval

R437 Riser

Features:

- Extruded aluminum, mill finish.
- For conversion of FS438 Dome Stop to carpet installation.
- Packed with wood screws, lead shield and stud. Specify Tampin (TPN) if required.
- Available in 1/4", 3/8", 1/2", 5/8", 3/4" and 1" height.



Product No.	Size
R437	1" x 1-3/8" Oval

How to Order:

FS - - - -

Model:

- 438** Dome Stop Only
- 437** Riser Only
- 438 x 437** Dome Stop & Riser

Riser Size:

- Blank** No riser
- 1/4** for 1/4"
- 3/8** for 3/8"
- 1/2** for 1/2"
- 5/8** for 5/8"
- 3/4** for 3/4"
- 1** for 1"

Finishes:

US3, US4, US5, US10, US10B, US14, US15, US15A, US26, US26D, US28

Mounting:

- Blank** Standard
- TPN** Tampin
- LS** Lead Expansion Shield

Floor Stops

FS18S FS18L

Features:

- Security Door Stops designed for use in high vandalism areas.
- Molded from flame resistant, resilient material around a heavy-duty stud.
- Once grouted in concrete, leaves no exposed fasteners to be tampered with or removed.
- Ideal for jail or security cell areas where floor mounted stops are required.
- FS18L also ideal for concrete wall applications.
- Finish: Black.

Product No.	Stop Height	Stop Diameter	Stud Length
FS18S	1-1/2"	2"	2-1/2"
FS18L	3-1/2"	2"	2-1/2"



FS18S



FS18L

FS434

Features:

- Burnished wrought steel.
- Soft, resilient gray rubber.
- For undercut doors up to 1-1/2".
- Packed with screws and plastic anchors.
- Finishes: US2C, US10.

Product No.	Overall Height	Base Size
FS434	2-5/8"	1-1/2" W x 2-3/4" L



Floor Stops

FS441

Features:

- Designed to blend well with all types of construction and provide a minimum of hindrance to cleaning efforts.
- Accommodates door undercut up to 1-1/2".
- Heavy-Duty cast brass or aluminum construction.
- Non-marring rubber bumper.
- FS441 packed with expansion shield and tampin.
- FS441-WS packed with wood screws.
- FS441 meets ANSI/BHMA 156.16, L12131 for brass and L32131 for aluminum.
FS441-WS meets ANSI/BHMA 156.16, L12121 for brass and L32121 for aluminum.
- Finishes: US3, US4, US5, US10, US10B, US14, US15, US15A, US26, US26D, US28.

Product No.	Overall Height	Overall Length	Base Depth
FS441-MS	2-1/8"	2-7/8"	1-5/8"
FS441-WS	2-1/8"	2-7/8"	1-5/8"



FS442

Features:

- Designed to blend well with all types of construction and provide a minimum of hindrance to cleaning efforts.
- Accommodates door undercut up to 2".
- Heavy-Duty cast brass or aluminum construction.
- Non-marring rubber bumper.
- FS442 packed with expansion shield and tampin.
- FS442-WS packed with wood screws.
- FS442 meets ANSI/BHMA 156.16, L12131 for brass and L32131 for aluminum.
FS442-WS meets ANSI/BHMA 156.16, L12121 for brass and L32121 for aluminum.
- Finishes: US3, US4, US5, US10, US10B, US14, US15, US15A, US26, US26D, US28.

Product No.	Overall Height	Overall Length	Base Depth
FS442	2-7/8"	2-3/4"	1-5/8"
FS442-WS	2-7/8"	2-3/4"	1-5/8"



Floor Stops

FS444

Features:

- Ideal for interior or exterior use.
- Cast brass construction.
- Accommodates door undercut up to 2-1/2".
- Non-marring rubber tip.
- Packed with expansion shield and lead shield.
- Meets ANSI/BHMA 156.16, L12131 for brass, and L32131 for aluminum.
- Finishes: US3, US4, US5, US10, US10B, US14, US15, US15A, US26, US26D, US28.

Product No.	Overall Height	Base Diameter
FS444	3"	2-1/2"



FS448

Features:

- Ideal for interior or exterior use.
- Cast brass construction.
- Accommodates door undercut up to 2-1/2".
- Non-marring rubber tip.
- Packed with wood screws.
- Meets ANSI/BHMA 156.16, L12121, for brass and L32121 for aluminum.
- Finishes: US3, US4, US5, US10, US10B, US14, US15, US15A, US26, US26D, US28.

Product No.	Overall Height	Base Diameter
FS448	3"	2-1/2"



Floor Door Stop & Manual Holder

FS446

Features:

- Manual type floor holder ideal for interior or exterior use.
- Cast brass or aluminum construction.
- Accommodates door undercut up to 2-1/2".
- Non-marring rubber tip.
- Unit functions as a stop but serves as a Hold-Open device when hook is manually engaged in strike. Unit requires manual disengagement to release Hold-Open.
- Packed with expansion shield and lead shield.
- Meets ANSI/BHMA 156.16, L11371 for brass and L31371 for aluminum.
- Finishes: US3, US4, US5, US10, US10B, US14, US15, US15A, US26, US26D, US28.



Product No.	Overall Height	Height from Floor to Stop Center Line	Stop Diameter	Base Diameter
FS446	3-3/4"	2-5/8"	1-1/16"	2-1/2"

FS450

Features:

- Manual type floor holder ideal for interior or exterior use.
- Cast brass or aluminum construction.
- Accommodates door undercut up to 2-1/2".
- Non-marring rubber tip.
- Unit functions as a stop but serves as a Hold-Open device when hook is manually engaged in strike. Unit requires manual disengagement to release Hold-Open.
- Packed with wood screws.
- Meets ANSI/BHMA 156.16, L11361 for brass and L31361 for aluminum.
- Finishes: US3, US4, US5, US10, US10B, US14, US15, US15A, US26, US26D, US28.



Product No.	Overall Height	Height from Floor to Stop Center Line	Stop Diameter	Base Diameter
FS450	3-3/4"	2-5/8"	1-1/16"	2-1/2"

FS451

Features:

- Manual type door holder ideal for interior or exterior use.
- Cast brass construction.
- Strike features hinged hook which engages the holder.
- Accommodates door undercut up to 2-1/2".
- Resilient rubber tip.
- FS451-WS packed with wood screws.
- FS451 packed with expansion shield and tampion. Strike packed with sheet metal screws.
- FS451-WS meets ANSI/BHMA 156.16, L11361 for brass and L31361 for aluminum. FS451-WS meets ANSI/BHMA 156.16, L11371 for brass and L31371 for aluminum.
- Finishes: US3, US4, US5, US10, US10B, US14, US15, US15A, US26, US26D, US28.



Product No.	Overall Height	Base Depth	Base Width
FS451-WS	3-3/16"	2-1/2"	1-5/8"
FS451	3-3/16"	2-1/2"	1-5/8"

Floor Door Stop & Semi-Automatic Holder

FS9

Features:

- Semi-automatic floor-mounted holders accommodates with door to floor clearance of 1-1/2" or less.
- Cast from heavy-duty brass.
- Activate holder by flipping the engagement tongue forward. When door is opened, the hook (mounted on door) engages the tongue. To release, push firmly on door to disengage tongue.
- Universal screw pack accommodates all types of floor and door construction.
- Meets ANSI/BHMA 156.16, L11241.
- Finishes: US3, US4, US10, US10B, US26 and US26D.



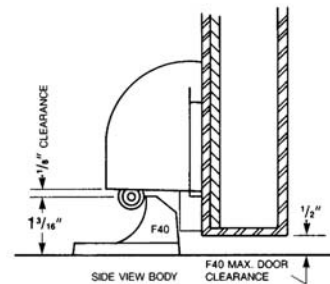
Product No.	Overall Height	Base Dimension
FS9	3-1/2"	2" Wide x 3-1/2" Long

Floor Door Stop & Automatic Holder

FS40
FS41
FS42
FS43

Features:

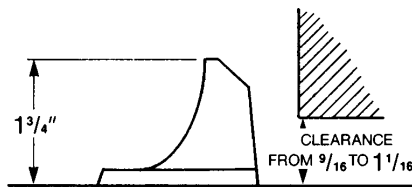
- Automatic door holders ideal for heavy-traffic situations that require a simple, fool-proof, Hold-Open device.
- Forged from brass.
- Unit is activated automatically when door is opened. A firm pull on door releases the mechanism.
- Strikes accommodate different door to floor clearances.
- Model numbers are determined by strike/door-to-floor clearances.
- Holder position on door is adjustable.
- Universal screw pack allows for installation in all types of door construction.
- Meets ANSI/BHMA 156.16, L11301.
- Finishes: US3, US4, US10, US10B, US26, US26D.



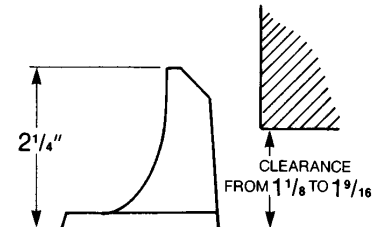
FS40

Product No.	Door to Floor Clearance	Holder Dimensions
FS40	1/2" or less	3" Wide x 3-11/16" High
FS41	9/16" to 1-1/16"	3" Wide x 3-11/16" High
FS42	1-1/8" to 1-9/16"	3" Wide x 3-11/16" High
FS43	1-5/8" to 2-1/16"	3" Wide x 3-11/16" High

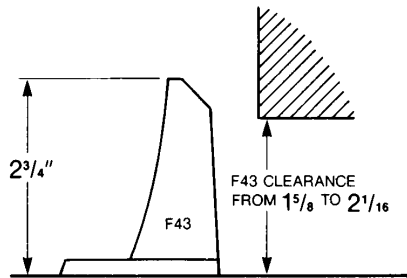
Optional Strike Details



FS41



FS42



FS43

Floor Door Stop & Automatic Holder

FS495

Features:

- Automatic door holders ideal for heavy-traffic situations that require a simple, Hold-Open device.
- Cast brass construction.
- Holds door 3-3/4" from wall.
- Recommended installation is holder on door and strike on wall.
- Holder position on door is adjustable.
- Holder is tapered to prevent "child riding."
- Meets ANSI/BHMA 156.16, L11291 for brass.
- Finishes: US3, US4, US10, US10B, US26, US26D.



FS496

Features:

- Cast brass construction.
- For door to floor clearances of 3/8" maximum.
- Meets ANSI/BHMA 156.16, L11301 for brass.
- Finishes: US3, US4, US10, US10B, US26, US26D.



FS497

Features:

- Cast brass construction.
- For door to floor clearances of 1" maximum.
- Meets ANSI/BHMA 156.16, L11301 for brass.
- Finishes: US3, US4, US10, US10B, US26, US26D.



Plunger Type Door Holders

FS1153

Features:

- Provides a contemporary yet economical method of positive Hold-Open.
- Constructed in sturdy cast aluminum.
- Spring operated plunger activates with minimal pressure, releasing instantly with a light tap on the plat-form lever.
- Provides a 1-5/8" throw for all types of doors.
- Ribbed non-marring rubber shoe is securely fastened to unit with a screw and is easily replaced when worn.
- Meets ANSI/BHMA 156.16, L31401.
- Finish: US28.



Product No.	Height	Width	Depth
FS1153	6-1/4"	1-1/2"	1-7/16"

FS1154

Features:

- Constructed from heavy-duty cast brass or bronze.
- Plunger and internal parts are plated steel and provides a 1-1/4" throw for all types of doors.
- Plunger is easily activated with minimal pressure, releasing instantly with a light tap on the platform lever.
- Round non-marring rubber shoe is securely fastened with a screw in flanged cup to prevent movement or loss. When worn, shoes are easily replaced.
- Meets ANSI/BHMA 156.16, L11401.
- Finishes: US3, US4, US10, US10B, US26, US26D.



Product No.	Height	Width	Depth
FS1154	5-1/2"	2"	1-1/4"

Kick Down Holders

FS452

Features:

- Units provide simple hold and release, activated with a touch of the foot.
- Cast brass or aluminum construction.
- Stainless steel spring.
- Non-marring rubber shoes have corrugated bottoms to provide secure grip.
- Shoes are easily replaced when worn.
- FS452-4 has a door-to-floor clearance of 2" or less. FS452-5 has a door-to-floor clearance up to 3".
- Packed with sheet metal screws.
- Meets ANSI/BHMA 156.16, L11383 for brass and L31383 for aluminum.
- Finishes: US3, US4, US5, US10, US10B, US14, US15, US15A, US26, US26D. FS452-4 also available is US28.



Product No.	Door-to-Floor Clearance	Plate Height	Plate Width
FS452-4	2" or less	2-1/8"	1"
FS452-5	Up to 3"	2-1/8"	1"

FS455

Features:

- Units provide simple hold and release, activated with a touch of the foot.
- Cast brass or aluminum construction.
- Non-marring rubber shoes have corrugated bottoms to provide secure grip and a shank which forms its own thread when screwed into threaded cavity of holder. When worn, shoes are easily replaced.
- Door-to-floor clearances of 2" or less.
- Meets ANSI/BHMA 156.16, L11382 for brass and L31382 for aluminum.
- Finishes: US3, US4, US5, US10, US10B, US14, US15, US15A, US26, US26D, US3AL, US10AL, US27/A92.



Product No.	Door-to-Floor Clearance	Plate Height	Plate Width
FS455	2" or less	1-3/4"	1-3/4"

FS544

FS555

Features:

- Units provide an economical method to hold open doors.
- Cast of durable iron.
- Non-marring rubber shoes have corrugated bottoms to provide secure grip. Rubber shoe is securely fastened with screw. When worn, shoes are easily replaced.
- FS544 for door-to-floor clearances of 2" or less. FS555 for door-to-floor clearances up to 3".
- FS544 meets ANSI/BHMA 156.16, L11381. FS555 meets ANSI/BHMA 156.16, L11391.
- Finishes: SP4, SP10, SP313, SP28, SPBLK.



Product No.	Door-to-Floor Clearance	Plate Height	Plate Width
FS544	2" or less	2-1/4"	1-7/16"
FS555	Up to 3"	2-1/4"	1-7/16"

Wall Bumpers

WS401 CVX & WS402 CVX WS401 CCV & WS402 CCV

Features:

- Constructed in heavy-duty cast brass or aluminum base.
- Special retainer cup makes rubber tamper resistant.
- The WS401CVX unit is designed with a convex rubber bumper, packed with wood screw and plastic anchor.
- The WS401CCV unit is designed with a concave rubber bumper which avoids damage to locks with projecting buttons, packed with wood screw and plastic anchor.
- The WS402CVX unit is designed with a convex rubber bumper packed with screw and drywall anchor.
- The WS402CCV unit is designed with a concave rubber bumper which avoids damage to locks with projecting buttons and is packed with screw and drywall anchor.
- WS401CVX & WS402CVX meets ANSI/BHMA 156.16 L12101 for brass and L32101 for aluminum.
- WS401CCV & WS402CCV meets ANSI/BHMA 156.16 L12251 for brass and L32251 for aluminum.
- Finishes: US3, US4, US5, US10, US10B, US14, US15, US15A, US26, US26D, US28.

Product No.	Mounting Hardware	Base Diameter	Base Thickness	Overall Projection
WS401CVX	Wood screw, plastic anchor	2-1/2"	3/8"	1"
WS401CCV	Wood screw, plastic anchor	2-1/2"	3/8"	1"
WS402CVX	Screw, Drywall Anchor	2-1/2"	3/8"	1"
WS402CCV	Screw, Drywall Anchor	2-1/2"	3/8"	1"



WS401CVX & WS402CVX



WS401CCV & WS402CCV

WS404CVX

Features:

- Constructed in cast brass.
- Compact size.
- Totally concealed mounting discourages vandalism or tampering.
- Unit furnished with grey convex rubber bumper.
- Packed with sheet metal screw, rawl plug and brad.
- Finishes: US3, US4, US5, US10, US10B, US14, US15, US15A, US26, US26D, US28.

Product No.	Base Diameter	Overall Projection
WS404CVX	1"	17/32"



Wall Bumpers

WS406CVX & WS407CVX WS406CCV & WS407CCV

Features:

- Constructed in sturdy yet economical wrought base of brass, aluminum or stainless steel construction.
- Feature concealed tamper-proof mounting.
- Shipped factory preassembled backplate to reduce installation cost.
- Easy installation by inserting screwdriver through small hole in rubber.
- The WS406CVX unit is designed with a convex rubber bumper, packed with wood screw and plastic anchor.
- The WS406CCV unit is designed with a concave rubber bumper, which avoids damage to locks with projecting buttons, packed with wood screw and plastic anchor.
- The WS407CVX unit is designed with a convex rubber bumper packed with screw and drywall anchor.
- The WS407CCV unit is designed with a concave rubber bumper which avoids damage to locks with projecting buttons and is packed with screw and drywall anchor.
- WS406CVX & WS407CVX meets ANSI/BHMA 156.16 L22201 for brass, L42101 for aluminum and L52101 for stainless steel.
- WS406CCV & WS407CCV meets ANSI/BHMA 156.16 L22251 for brass and L42251 for aluminum, and L52251 for stainless steel.
- Finishes: US3, US4, US5, US10, US10B, US14, US15, US15A, US26, US26D, US28, US32D.



WS406CVX & WS407CVX



WS406CCV & WS407CCV

Product No.	Mounting Hardware	Base Diameter	Base Thickness	Overall Projection
WS406CVX	Wood screw, plastic anchor	2-1/2"	3/8"	1"
WS406CCV	Wood screw, plastic anchor	2-1/2"	3/8"	1"
WS407CVX	Screw, Drywall Anchor	2-1/2"	3/8"	1"
WS407CCV	Screw, Drywall Anchor	2-1/2"	3/8"	1"

Wall Bumpers

408

Features:

- Constructed in sturdy yet economical wrought base of brass or stainless steel.
- Factory assembled backplate.
- Concealed mounting.
- Easy installation by inserting screw through small hole in rubber.
- Meets ANSI/BHMA A156.16, L22251 for brass and L52251 for stainless steel.
- 408 unit has convex rubber bumper and is packed with machine screw and expansion shield.
- Finishes: B10, B26D, PA28 and S32D.



408

Product No.	Base Diameter	Base Thickness	Overall Projection
408	2-7/16"	3/8"	1"

408 1/2 & 409 1/2

Features:

- Constructed in sturdy yet economical wrought base of brass, aluminum, or stainless steel.
- Factory assembled backplate.
- Concealed mounting.
- Easy installation by inserting screw through small hole in rubber.
- Meets ANSI/BHMA A156.16, L22251 for brass, L42251 for aluminum, and L52251 for stainless steel.
- 408-1/2 is packed with machine screw and expansion shield.
- 409-1/2 is packd with plastic drywall anchor and screw for hollow and solid walls.
- 408-1/2 Finishes: B10, B26D, PA28, and S32D.
- 409-1/2 Finishes: B3, B4, B5, B10, B10B, B14, B15, B15A, B26, B26D, PA28 and S32D.



409 1/2

Product No.	Base Diameter	Base Thickness	Overall Projection
408 1/2	2-7/16"	3/8"	15/16"
409 1/2	1-7/8"	3/8"	1-1/16"

411R

Features:

- Adhesive-backed wall door stop for use on clean, smooth, flat surfaces only.
- Non-marring rubber available in gray or white.
- Concave design permits knob to strike stop without damaging or engaging lock mechanism.
- Finishes: Specify G (gray rubber) or W (white rubber).



411R

Product No.	Base Diameter	Base Thickness	Overall Projection
411R	1-7/8"	3/8"	1-1/16"

Wall Stops

WS11 WS11X

Features:

- Constructed in heavy duty cast brass.
- WS11 is furnished with 3 countersunk mounting holes for drywall mounting.
- WS11X is furnished with a threaded stud and expansion shield for masonry type mounting.
- Hexagon section on unit aids in fastening unit when expansion shield is used.
- Rubber bumpers features off-set shoulder and threaded shank that screws into body of unit.
- WS11 meets ANSI/BHMA 156.16, L12011 WS11X meets ANSI/BHMA 156.16, L12021.
- Finishes: US3, US4, US10, US10B, US26, US26D.



Product No.	Base Diameter	Overall Projection
WS11	2"	3-3/4"
WS11X	2"	3-3/4"

WS33 WS33X

Features:

- Constructed in a durable cast brass.
- Sturdy rubber bumper with offset shoulder screws into cavity on body to prevent loss or theft.
- Sloping design discourages vandalism
- WS33 is furnished with 3 mounting holes for drywall mounting.
- WS33X is furnished with a threaded stud and expansion shield for masonry type mounting.
- Finish: US26D.



Product No.	Base Height	Base Width	Overall Projection
WS33	3"	2-1/4"	3-3/4"
WS33X	3"	2-1/4"	3-3/4"

WS65

Features:

- Burnished cast aluminum.
- Non-marring rubber bumper.
- Packed with sheet metal screws.
- Finishes: US3, US10AL, A10B, US27.



Product No.	Base Diameter	Overall Projection
WS65	1-5/8"	3-3/4"

Wall Stops

WS443

Features:

- Constructed in brass.
- Ideal for interior or exterior use.
- Non-marring rubber tip.
- Packed with expansion shield and lead shield.
- Meets ANSI/BHMA 156.16, L12021 for brass and L32021 for aluminum.
- Finishes: US3, US4, US5, US10, US10B, US14, US15, US15A, US26, US26D, US28.

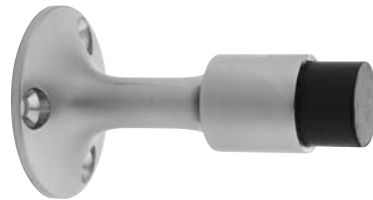


Product No.	Base Diameter	Overall Projection
WS443	2-1/4"	3-11/16"

WS447

Features:

- Constructed in brass or aluminum.
- Ideal for interior or exterior use.
- Non-marring rubber tip.
- Furnished with 3 mounting holes for drywall mounting.
- Packed with wood screws.
- Meets ANSI/BHMA 156.16, L12011 for brass and L32011 for aluminum.
- Finishes: US3, US4, US5, US10, US10B, US14, US15, US15A, US26, US26D, US28.



Product No.	Base Diameter	Overall Projection
WS447	2-1/4"	3-11/16"

Manual Wall Holders

WS20 WS20X

Features:

- Constructed in cast brass.
- WS20 is furnished 3 countersunk mounting holes for drywall mounting.
- WS20X is furnished with threaded stud for masonry type mounting.
- Rubber bumpers feature off-set shoulder and threaded shank that screws into body of holder.
- Hinged strike furnished matches body material and finish.
- WS20 meets ANSI/BHMA 156.16, L11341 WS20X meets ANSI/BHMA 156.16, L11351
- Finishes: US3, US4, US10, US10B, US26, US26D.

Product No.	Base Diameter	Overall Projection	Strike Height	Strike Width
WS20	2-3/8"	4"	2"	1"
WS20X	2-3/8"	4"	2"	1"



WS20 Shown

WS445

Features:

- Constructed in cast of brass or aluminum.
- Unit functions as a stop but serves as a Hold-Open device when hook is manually engaged in strike.
- Unit requires manual disengagement to release Hold-Open.
- Resilient, non-marring rubber tip.
- Packed with expansion shield and lead shield.
- Meets ANSI/BHMA 156.16, L11351 for brass and L31351 for aluminum.
- Finishes: US3, US4, US5, US10, US10B, US14, US15, US15A, US26, US26D, US28.

Product No.	Base Diameter	Base Projection	Engaged Projection	Strike Height	Strike Width	Strike Projection
WS445	2-1/4"	3-11/16"	5-3/4"	1-1/2"	13/16"	13/16"



WS449

Features:

- Constructed in cast of brass or aluminum.
- Unit functions as a stop but serves as a Hold-Open device when hook is manually engaged in strike.
- Unit requires manual disengagement to release Hold-Open.
- Resilient, non-marring rubber tip.
- Packed with wood screws.
- Meets ANSI/BHMA 156.16, L11341 for brass and L31341 for aluminum.
- Finishes: US3, US4, US5, US10, US10B, US14, US15, US15A, US26, US26D, US28.

Product No.	Base Diameter	Base Projection	Engaged Projection	Strike Height	Strike Width	Strike Projection
WS449	2-1/4"	3-11/16"	5-3/4"	1-1/2"	13/16"	13/16"



Automatic Wall Holders

WS40

Features:

- Constructed of sturdy cast brass, or aluminum.
- Holder is mounted on wall and strike is mounted on door.
- Roller on holder rides up seats itself on strike, with a heavy duty bumper pad deadening the sound and shock.
- Universal screw pack accommodates all types wall construction.
- Meets ANSI/BHMA 156.16, L11291.
- Finishes: US3, US4, US10, US10B, US26, US26D, US28.



Product No.	Base Height	Base Width	Base Projection	Engaged Projection	Strike Height	Strike Width	Strike Projection
WS40	2"	2-1/2"	2-1/4"	3-1/2"	2-1/16"	3/4"	2"

WS45 WS45X

Features:

- Constructed of cast brass, bronze or aluminum.
- Spring loaded roller rides up the face of the strike, seating itself on the strike, holding the door firmly in the open position.
- A heavy rubber pad cushions the shock and absorbs the sound.
- With unit mounted on door and the strike on wall, vertical adjustment is available on body.
- The strike is adjustable 45 degrees left or right, both adjustments easily accomplished at time of installation or at a later date.
- WS45 strike is furnished with 3 countersunk mounting holes.
- WS45X strike is furnished with a threaded stud and expansion shield for masonry type mounting.
- Meets ANSI/BHMA 156.16, L11291.
- Finishes: US3, US4, US10, US10B, US26, US26D, US28.

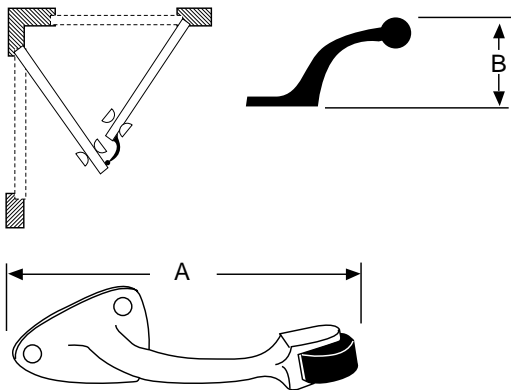


Product No.	Base Height	Base Width	Base Projection	Engaged Projection	Strike Diameter	Strike Projection
WS45	3-11/16"	3"	2"	3-7/16"	2-3/8"	3"
WS45X	3-11/16"	3"	2"	3-7/16"	2-3/8"	3"

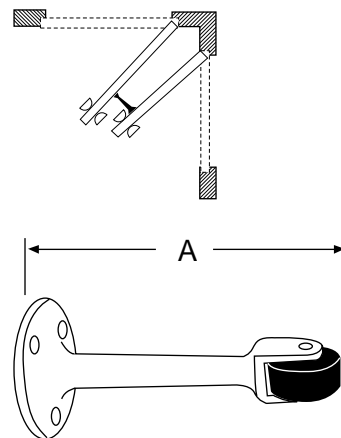
Roller Bumpers



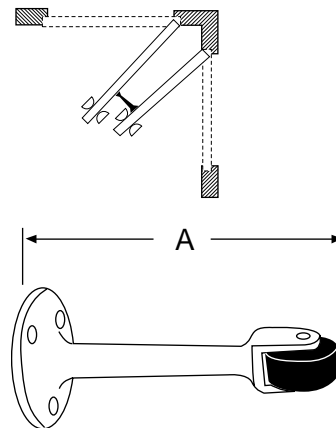
RB470



RB471



RB471



**RB470
RB471
RB472**

Features:

- Constructed in heavy-duty cast brass.
- RB470 used where two doors open against each other to prevent damage to the doors or hardware.
- RB471 and RB472 are ideal for use in situations where doors meet each other at approximate right angles (back to back).
- RB470 meets ANSI/BHMA 156.16, L12212 RB471 meets ANSI/BHMA 156.16, L12192 RB472 meets ANSI/BHMA 156.16, L12202.
- Finishes: US3, US4, US5, US10, US10B, US14, US15, US15A, US26, US26D.

Product No.	Base Size	Arm Offset (B)	Overall Length (A)
RB470	1-11/16" x 2-1/4"	2-3/4"	5"
RB471	2" Dia.	—	4-1/2"
RB472	2" Dia.	—	6"

Door Silencers



SR64

Features:

- For use on metal frames featuring pneumatic design that, once installed, forms an air pocket to absorb shock and reduce noise of door closing.
- Tamper-proof once installed on the frame.
- Proper installation also eliminates door rattle and provides constant tension for door latches or locks.
- Packed in bags of 100. Grey also available in bulk pack of 2500.
- Each bag has an installation tool included.
- Meets ANSI/BHMA 156.16, L03011.
- Finish: grey is standard. Black optional.

Product No.	Diameter	Thickness
SR64	1/2"	1/8"



SR65

Features:

- For use on wood frames, also feature pneumatic design to cushion shock and absorb noise.
- To prevent removal, a small brad should be driven into stop strip and through stem of silencer, as shown in the detail.
- Packed in bags of 100.
- Meets ANSI/BHMA 156.16, L03021
- Finish: grey.

Product No.	Height	Width	Thickness
SR64	3/4"	3/8"	1/8"



SR66

Features:

- Self Adhesive Rubber Silencers.
- Economical installation requires no drilling of frames.
- Packed in sheets of 100.
- Finishes: brown, grey, white.

Product No.	Diameter	Thickness
SR66	1/2"	1/8"

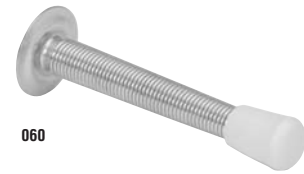
Residential Door Stops

060 and 061 Flexible Door Stops

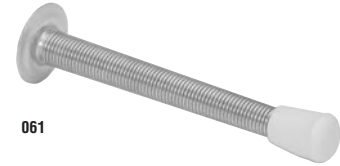
Features:

- Utilizes heavy gauge spring to maintain rigid protections.
- Simple to install - only a screwdriver required.
- Rubber tip is replaceable.
- Made from burnished wrought steel.
- Meets design requirements of ANSI/BHMA A156.16.
- Packed disassembled for quick installation.
- Finishes: F3, F5, F10, F10B, F14, F26, F26D.

Product Number	Projection
060	3"
061	4"



060



061

60, 61 and 62 Base Door Stops

Features:

- Available in three sizes to accommodate varying areas of installation and door trim dimensions.
- Rubber tip is replaceable.

60 Base Door Stop

- Projection: 3-3/4".
- Made from solid brass or aluminum.
- Finishes: B3 (B-605), B4, B5, B10, B10B (B-613), B14, B15 (B-619), B15A (B-620), B26 (B-625), B26D, A3, A4, A5, A10, A10B, A14, A26, A92.

61 Base Door Stop

- Projection: 3-1/8" on brass units. 3-3/16" on aluminum units.
- Made from solid brass, aluminum, or epoxy colored aluminum.
- Finishes: B3 (B-605), B4, B5, B10, B10B (B-613), B14, B15 (B-619), B15A (B-620), B26 (B-625), B26D, A3, A4, A5, A10, A10B, A14, A26, A92, A-A (Almond Epoxy Coated), A-W (White Epoxy Coated), A-BLK (Black Epoxy Coated).

62 Base Door Stop

- Projection: 4-1/2".
- Made from solid brass or aluminum.
- Finishes: B3 (B-605), B4, B5, B10, B10B (B-613), B14, B15 (B-619), B15A (B-620), B26 (B-625), B26D, A3, A4, A5, A10, A10B, A14, A26, A92.



60



61

062 Base Door Stop

Features:

- Base Door Stop features one-piece styling.
- Designed with a flat surface to accommodate wrench or pliers when installing.
- Rubber tip is replaceable.
- Made from solid brass or aluminum.
- Meets ANSI/BHMA A156.16.
- Finishes: B3 (B-605), B4, B5, B10, B10B (B-613), B14, B15 (B-619), B15A (B-620), B26 (B-625), B26D, A3, A4, A5, A10, A10B, A14, A26, A92.

Product Number	Projection
062	2-1/2"



Residential Door Stops

64 Base Door Stop

Features:

- Base Door Stop features deluxe one-piece styling.
- Easily screws into base.
- Designed with square head to accommodate wrench or pliers when installing.
- Rubber tip is replaceable.
- Made from solid brass or aluminum.
- Finishes: B3 (B-605), B4, B5, B10, B10B (B-613), B14, B15 (B-619), B15A (B-620), B26 (B-625), B26D, A3, A4, A5, A10, A10B, A14, A26, A92.

Product Number	Projection
64	3-1/4"

430 Floor Door Stop

Features:

- One-piece design easily screws into floor.
- Rubber tip is replaceable.
- Made from solid brass or aluminum.
- Finishes: B3 (B-605), B4, B5, B10, B10B (B-613), B14, B15 (B-619), B15A (B-620), B26 (B-625), B26D, A3, A4, A5, A10, A10B, A14, A26, A92.

Product Number	Base Diameter	Height
430	1-1/4"	1-5/16"



69 Hinge Pin Door Stop

Features:

- For use on hinged doors where the installation of a standard door stop is not desirable.
- Positive slip proof adjustment.
- Non-marring rubber tips.
- Removable bushings accommodate 1/4" to 5/16" diameter hinge pins.
- Easy installation—only a screwdriver required.
- Made from burnished wrought steel.
- Finishes: F3, F5, F10, F10B, F14, F15, F15A, F26, F26D.

Product Number	Door Openings Adjustments
69	70° to 100°



70 Hinge Pin Door Stop

Features:

- For use on hinged doors where the installation of a standard door stop is not desirable.
- Designed for narrow trim installation.
- High quality rubber bumpers - shoulder on stud supports rubber through entire body for engineered cushioning.
- Replaceable, non-marring rubber tips.
- Removable bushings accommodate 1/4" to 5/16" diameter hinge pins.
- Easy installation.
- Made from solid brass, aluminum, or epoxy coated aluminum.
- Finishes: B3 (B-605), B4, B5, B10, B10B (B-613), B14, B15 (B-619), B15A (B-620), B26 (B-625), B26D, A3, A4, A5, A10, A10B, A14, A26, A92, A-A (Almond Epoxy Coated), A-W (White Epoxy Coated), A-BLK (Black Epoxy Coated).

Product Number	Door Openings Adjustments
70	85° to 125°

